

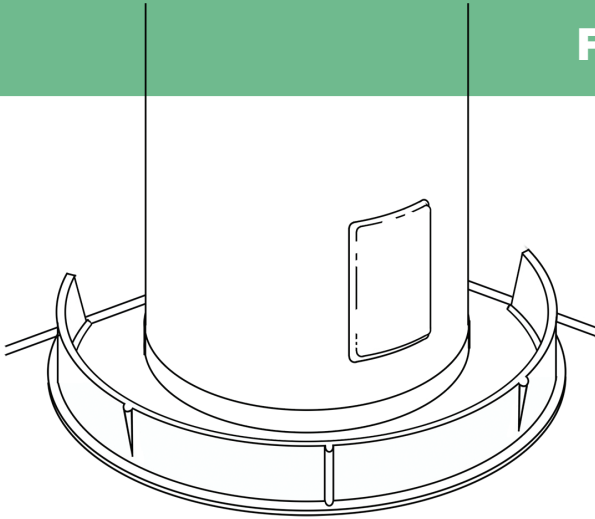
FloodRing®

PROTECTION FROM LEAKING WATER TANKS

Protect your home from:

- Leaking Water Heaters
- Dripping Well-Water Tanks





Basement Systems offers FloodRing® to guard your home against water heater leaks.

The average life of a water heater is 8 years, and when they fail, they leak – and the result is the same as a groundwater leak – a flooded basement. Leaking water heaters account for tens of thousands of flooded basements each year. When a water heater leaks, an unlimited supply of pressurized water will flood the basement. The FloodRing will contain that water and drain it away to your perimeter drainage system and sump pump, and prevent your basement from flooding.



- Unique semi-circle shape installs in sections without disturbing water heater or well tank
- Watertight seal contains flooding
- Compatible with WaterGuard drainage system
- Alarm installed inside FloodRing can alert you to a leak (optional)
- Patented