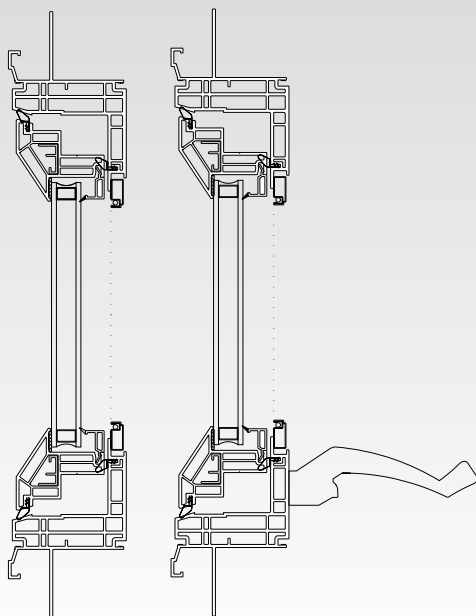


CAD MODEL



ASSEMBLY DRAWING



Custom Vinyl Products, LLC
 Window & Door

www.customvinyl.net

Locally Owned & Operated
 Products Certified 100% Lead Free

FEATURES and BENEFITS

- Impact rated grade 50 performance.
- Continuous head and sill with integral mullion.
- All Welded, Brickmold wood window look.
- Multi-point lock system with easy crank operating handle.
- Up to 1" glazing.
- Dual weatherstripping.
- Full 1-3/4" integral nail fin.
- Double wall frame for less roll.
- Strong integral mull reinforcement.
- Factory applied WM-180 brickmold available.
- Factory applied s/4x4 exterior trim.
- One profile sash.
- Common profiles produce Casement, Awning and Picture Windows.
- Accessory options for Bay/Bow applications.
- Stainless steel hardware available.

MANUFACTURING LIMITATIONS

BASELINE PERFORMANCE			
Thermal Insulation			
GLASS	Uc Value	R Value	SHGC
LoE 270	0.27	3.70	.23
LoE 366	0.27	3.70	.17
LoE 366 w/i89	0.23	4.35	.17
Structural Performance			
Air Infiltration @ 25 mph		0.01 cfm/ft ²	
Water Penetration		7.50 psf	
Uniform Loads		+/-75.00 psf	

AAMA RATING: LC-PG50-C

