



Custom Vinyl Products, LLC

www.customvinyl.net

Locally Owned & Operated
Products Certified 100% Lead Free

CA55 Casement

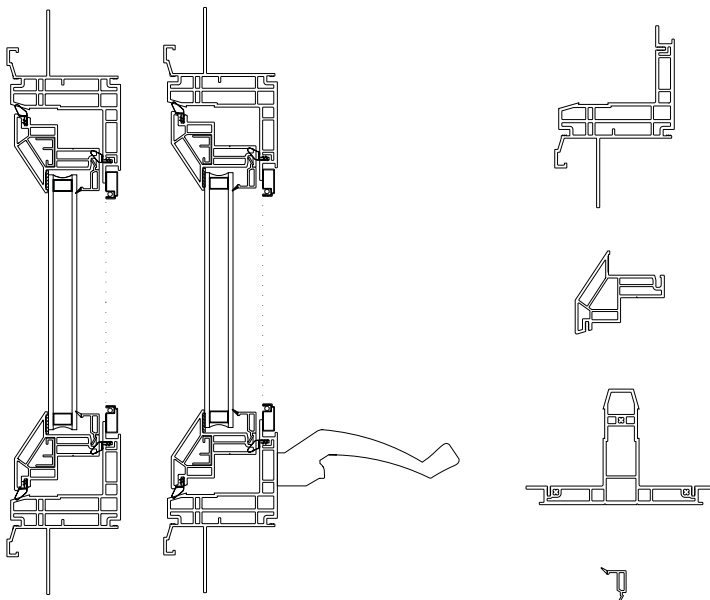
New Construction



LC
LIGHT COMMERCIAL
RATED

FEATURES and BENEFITS

- All-welded frame and sash
- Integral nail fin and J-channel
- J-channel designed with brick mold accents
- Aesthetically pleasing exterior frame design
- Full complement of accessory profiles
- Multiple glazing bead using dual-durometer
- Optimum designed aluminum sash reinforcement
- Maximum glass thickness of 1"
- Multi-chambered vinyl profiles for thermal efficiency
- Dual-weatherstripping
- Co-extruded weathering
- Window design accepts multiple hardware combinations
- DP50 performance levels
- Full Family of products (Hung, Slider, Casement and Picture window(s))
- Stainless steel hardware available
- Factory applied brick mold and 5/4x4 available
- Lead free
- Energy Star rated and labeled



PERFORMANCE

THERMAL INSULATION

GLASS	Uc Value	R Value	SHGC
LowE 270	0.27	3.70	.23
LowE 366	0.27	3.70	.17
LowE 366 w/ i89	0.24	4.17	.17

STRUCTURAL DATA

Air Infiltration @ 25mph	0.03 cfm/ft ²
Water Penetration	7.50 psf
Uniform Loads	+/- 75.00 psf

AAMA RATING: PG50-C

