



Custom Vinyl Products, LLC

www.customvinyl.net

Locally Owned & Operated  
Products Certified 100% Lead Free

# PI55 Picture

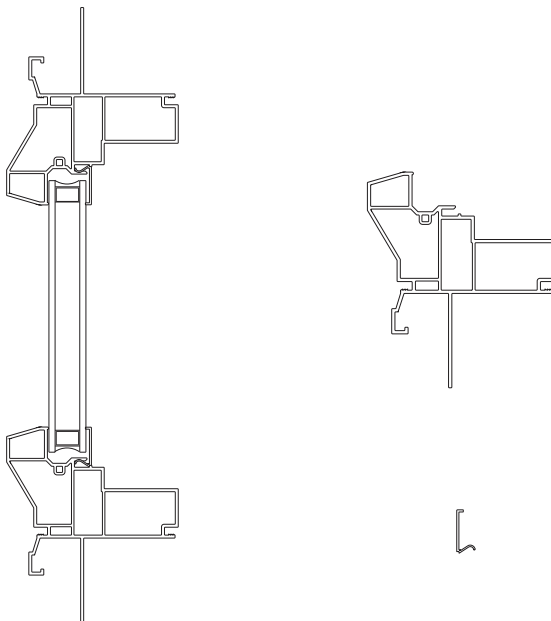
New Construction

## FEATURES and BENEFITS

- All-welded frame
- 3¼" frame width ideal for replacement installations
- Integral nail fin and J-channel
- J-channel designed with brick mold accents
- Aesthetically pleasing exterior frame design
- Full complement of accessory profiles
- Maximum glass thickness of 3/4"
- Multi-chambered vinyl profiles for thermal efficiency
- DP50 performance levels
- Full family of products (Hung, Slider, and Picture window(s))



**LC**  
LIGHT COMMERCIAL  
RATED



## PERFORMANCE

### THERMAL INSULATION

GLASS	Uc Value	R Value	SHGC
LowE 270	0.27	3.70	.25
LowE 366	0.27	3.70	.19

### STRUCTURAL DATA

Air Infiltration @ 25mph	0.02 cfm/ft <sup>2</sup>
Water Penetration	7.50 psf
Uniform Loads	+/- 75.00 psf

AAMA RATING: PG50-FW 72x72

