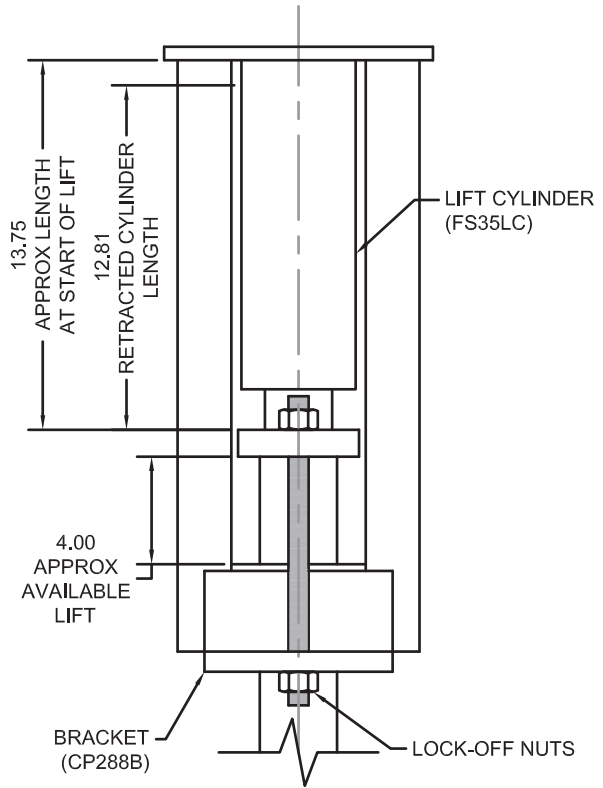


Model 288 Concentric Lift Assembly Specifications

Compatible Brackets⁽²⁾:
CP288B

Lift Cylinder (FS35LC):
Stroke = 4"
Cylinder action = double
Bore = Ø3.50"
Hydraulic area = 9.62 in²
Max operating pressure⁽¹⁾ = 8,000 psi

Lift Assembly Rated Lifting Load ^(1,2) 36.7 kips			
Hydraulic Pressure (psi)	Lift Force ^(1,2) (kips)	Hydraulic Pressure (psi)	Lift Force ^(1,2) (kips)
200	1.9	2,600	25.0
400	3.8	2,800	26.9
600	5.8	3,000	28.9
800	7.7	3,100	29.8
1,000	9.6	3,200	30.8
1,200	11.5	3,300	31.7
1,400	13.5	3,400 <td 32.7	
1,600	15.4	3,500	33.7
1,800	17.3	3,600	34.6
2,000	19.2	3,700	35.6
2,200	21.2	3,800	36.6
2,400	23.1	3,815	36.7



- (1) Do not operate at pressures that produce lift forces in excess of the lift assembly's rated lifting load. Max operating pressure of the lift cylinder produces forces that exceed this value and is given for informational purposes only.
- (2) Rated lifting load is given for the lift assembly only. Do not operate at pressures that exceed the allowable capacities of the system which are governed by the allowable capacities of the bracket and other system components, as well as the torque-correlated soil capacity, or installed driving force divided by an appropriate factor of safety.