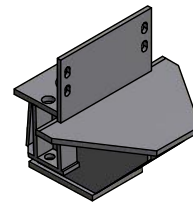
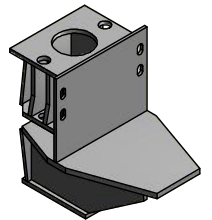
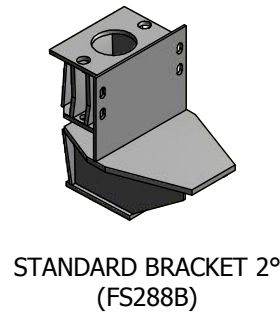
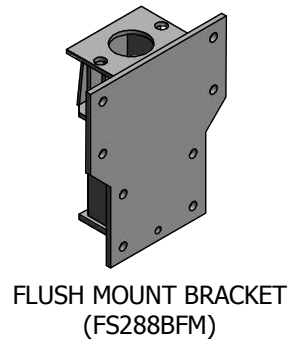


PUSH PIER ASSEMBLY

PP288 Push Pier

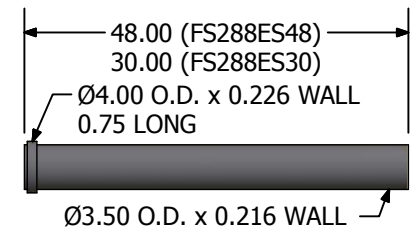
Product Number	Product Name
FS288B	288 Standard Bracket 2'
FS288BV	288 Bracket - Vertical
FS288BL	288 Low Profile Bracket 2'
FS288BFM	288 Flush Mount Bracket
FS288ES48	External Sleeve - 48"
FS288ES30	External Sleeve - 30"
PP288T	Pier Tube - 36"
PP288CST	Crawspace Pier Tube - 18"
PP288ST	Starter Tube - 50"
PP288CSST	Crawspace Starter Tube - 32"
FS288C	Pier Cap
HWTR-S210-Z-075-16	All Thread Rod - 16"
HWH8N-Z-075	Heavy Hex Nut - 3/4"



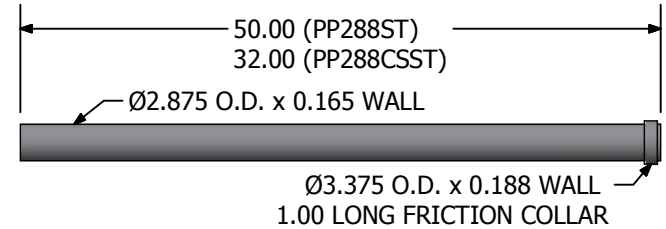
288 BRACKETS
 DETAILED VIEWS AND DIMENSIONS
 OF BRACKETS SHOWN ON SHEET 2

NOTES:

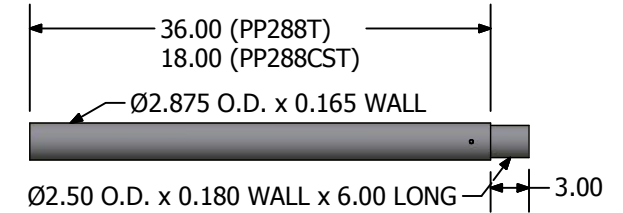
- MINIMUM MATERIAL REQUIREMENTS:
 PIER TUBE - $F_y = 50$ ksi, $F_u = 55$ ksi.
 BRACKET - ASTM A36
 PIER CAP - ASTM A572 Gr. 50
 EXTERNAL SLEEVE - $F_y = 50$ ksi, $F_u = 62$ ksi.
 THREADED ROD - $F_u = 125$ ksi.
- ALL WELDING TO BE IN ACCORDANCE WITH AWS D1.1 LATEST ISSUE WITH E70-XX MIN ELECTRODE.
- PIER TUBE SECTIONS ARE TRIPLE COATED IN LINE GALVANIZED. ALL OTHER COMPONENTS OFFERED PLAIN OR GALVANIZED.
- THIS DOCUMENT IS MEANT TO SERVE AS A GENERAL DESCRIPTION FOR THE PRODUCTS SHOWN FOR SUBMITTAL PURPOSES. MORE DETAILED MANUFACTURING DRAWINGS ARE AVAILABLE UPON REQUEST.



EXTERNAL SLEEVES



STARTER TUBES

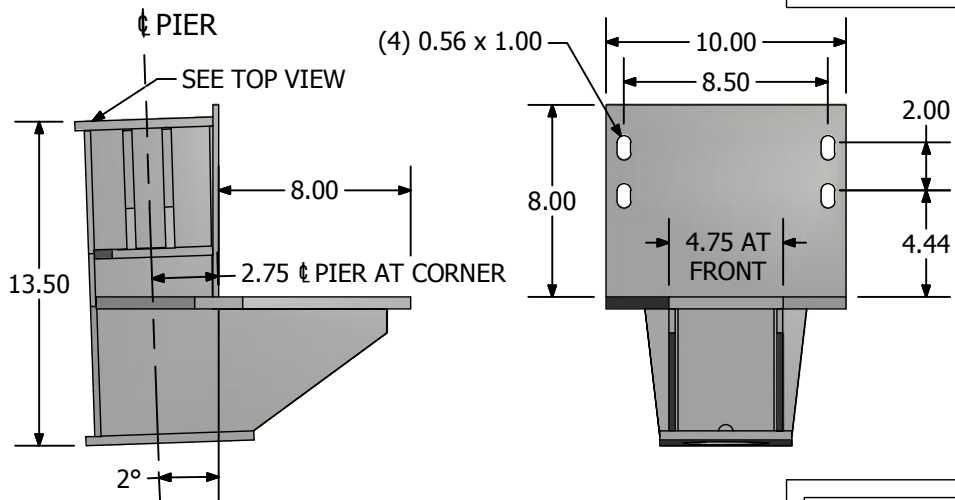


PIER TUBES

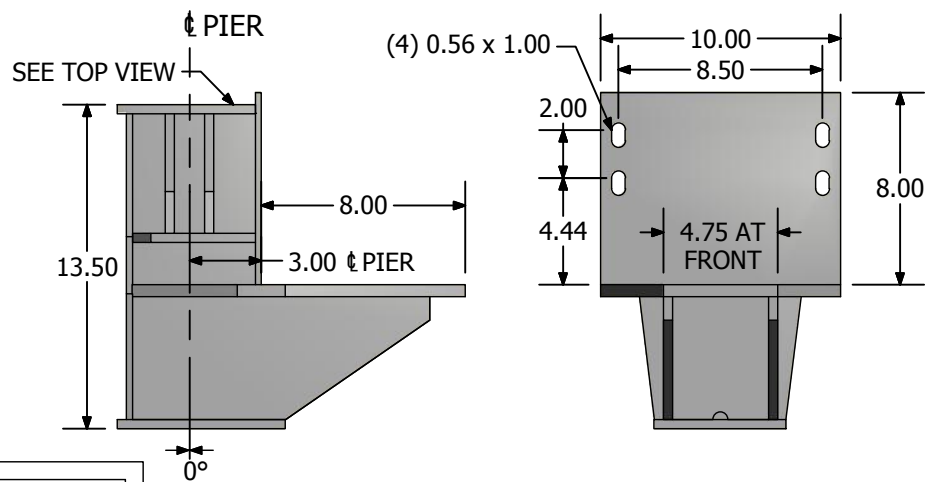
FOUNDATION SUPPORTWORKS®
 12330 Cary Circle, Omaha, NE 68128
 Phone: 800-281-8545
 All Dimensions Inches

Part #: **SD-PP-11001** Date: 10/28/11
 Title: **288 Push Pier Assembly**
 Revision: 0 Sheet: 1 of 2

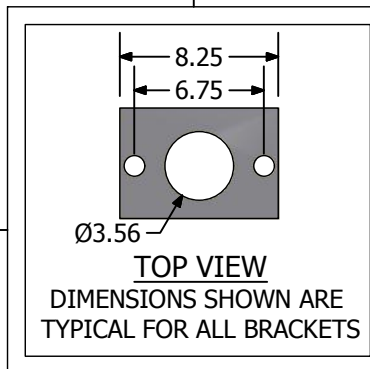
288 BRACKETS



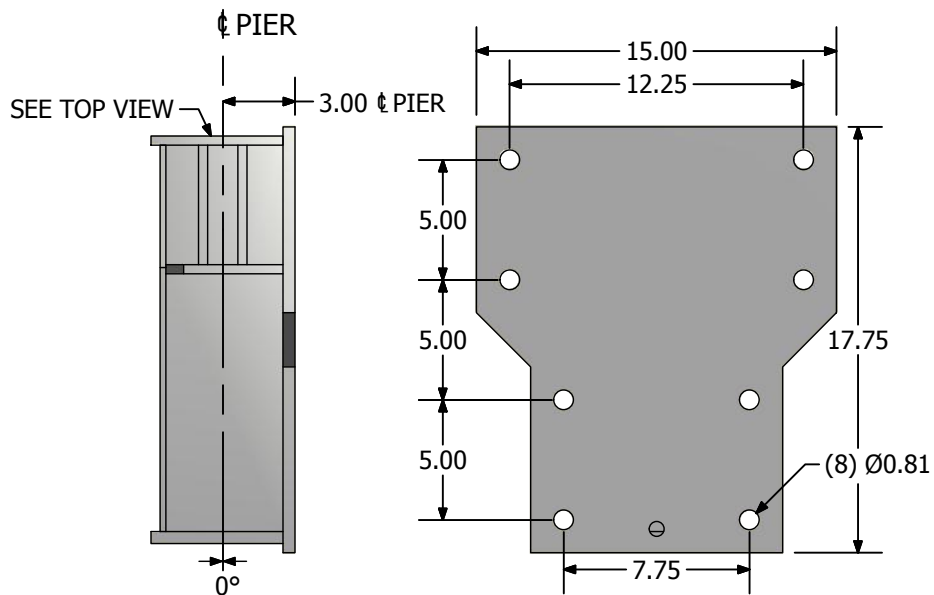
FS288B
STANDARD BRACKET 2°



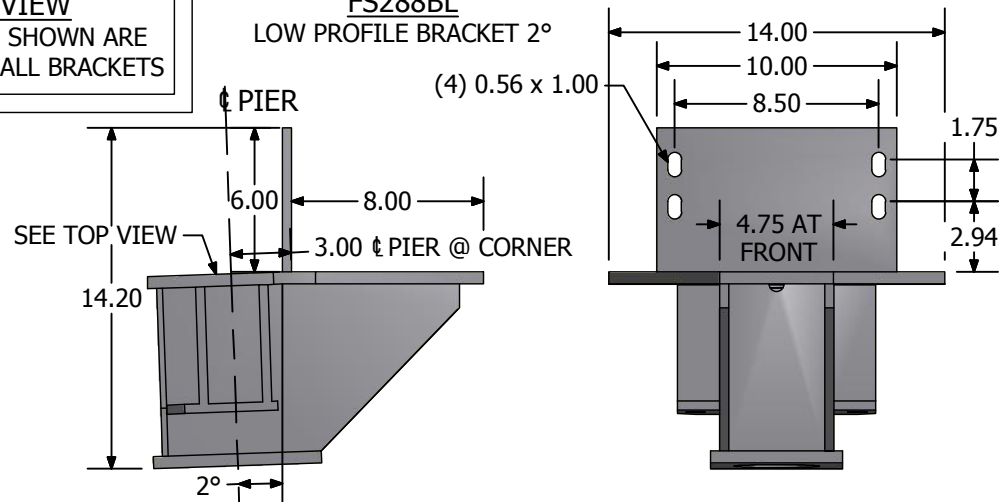
FS288BV
BRACKET - VERTICAL



FS288BFM
FLUSH MOUNT BRACKET



FS288BL
LOW PROFILE BRACKET 2°



12330 Cary Circle, Omaha, NE 68128
Phone: 800-281-8545

All Dimensions Inches

Part #:

SD-PP-11001

Title:

288 Push Pier Assembly

Revision: 0

Date: 10/28/11

Sheet: 2 of 2